



PATRIZIAGARGANTI
Firenze

new collection 2017

C.D.F. - COUP DE FOUDE

designer Roberto Lazzeroni





Collection
C.D.F.
Coup De Foudre

A brand new collection designed by Roberto Lazzeroni: a combination of forms, materials and stories that blend together the harmony of blown glass with the strenght of metal structures.

These distinctive features make the C.D.F. collection a timeless design.





Clear Blown Glass | Polished Nickel Finish



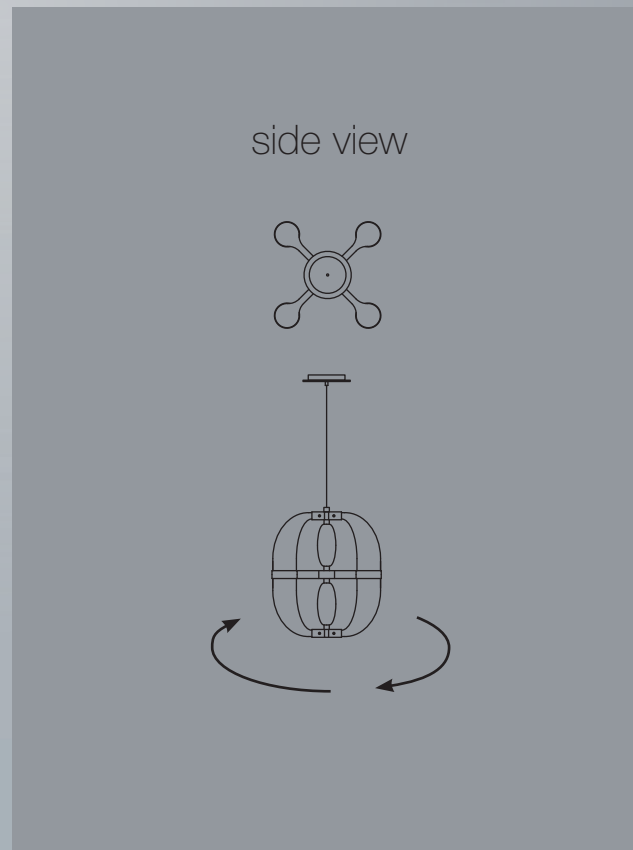
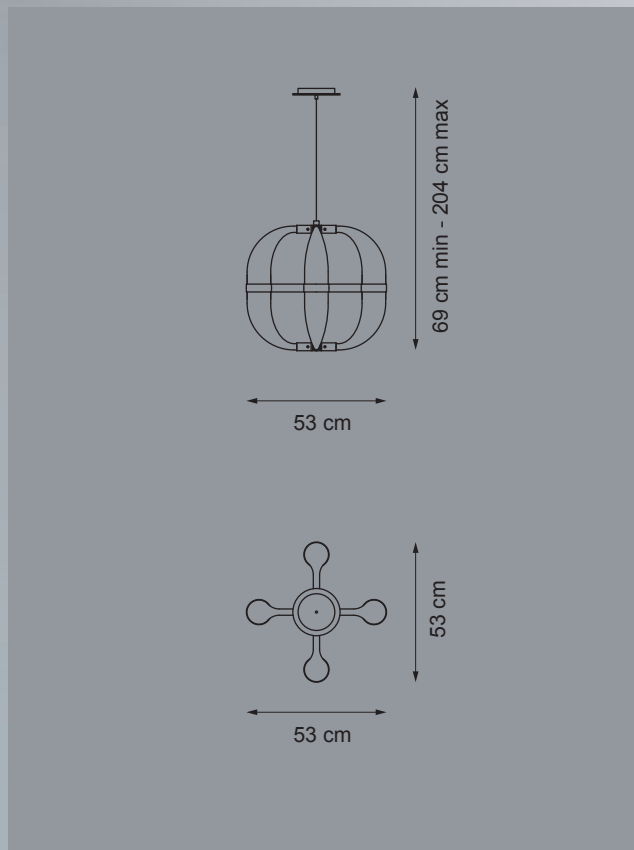
Clear Blown Glass
Polished Black Nickel Finish



Amber & Clear Blown Glass
Gold Plated Finish

Satin & Clear Blown Glass
Polished Nickel Finish

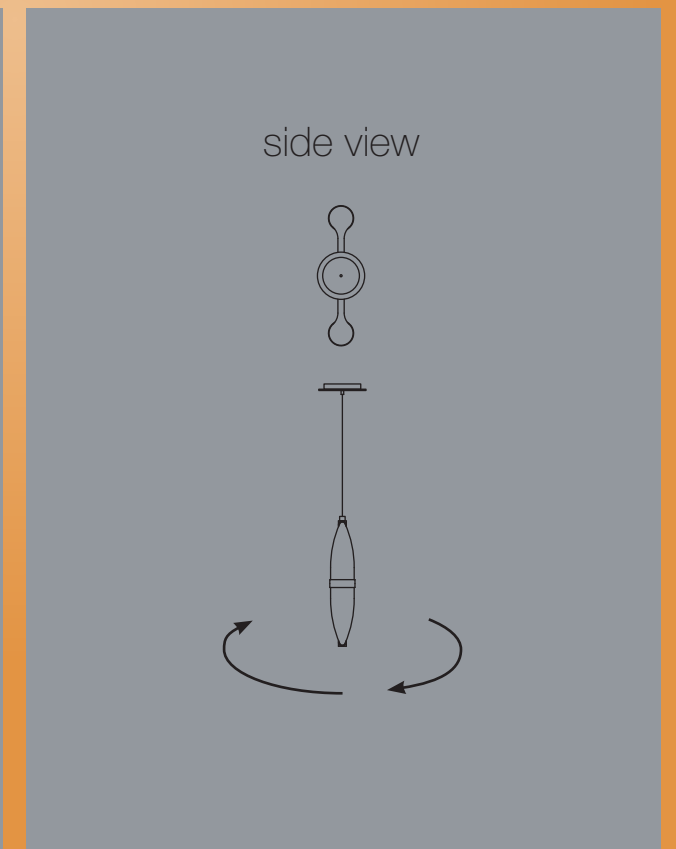
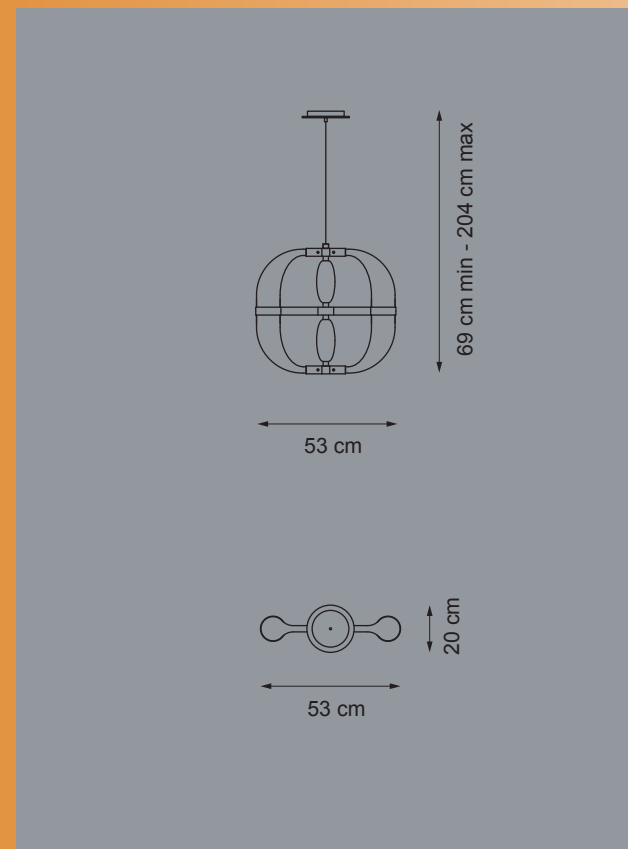




Satin & Clear Blown Glass
Polished Nickel Finish

Amber & Clear
Blown Glass

Polished Black
Nickel Finish





Hand Made

Blown Glass

Satin & Clear
Blown Glass

Satin Gold Finish



ad.com/vendors/baga/





Blown Glass:

Clear glass



Amber glass



Satin white glass



Satin amber glass



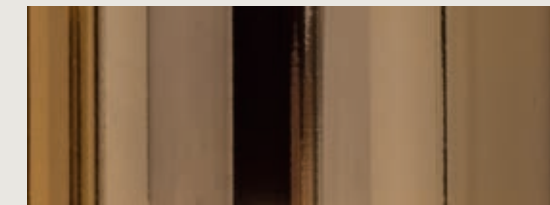
Metal:



Polished nickel



Polished black nickel



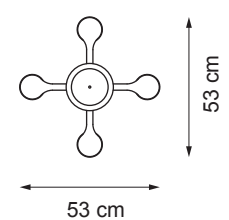
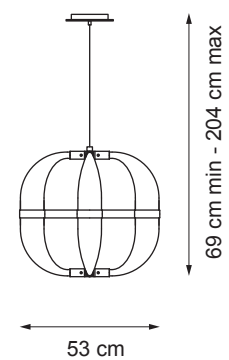
Gold plated



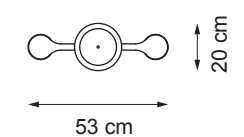
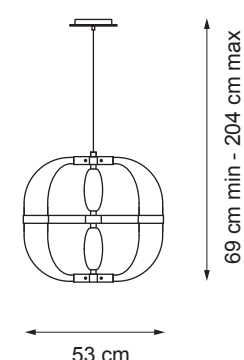
Satin gold



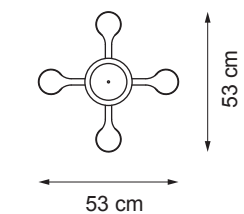
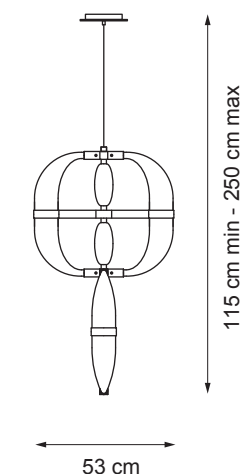
Item CDF01
Led lights chandelier (88W max)



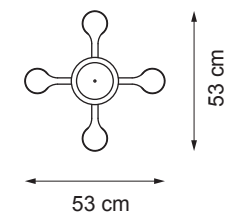
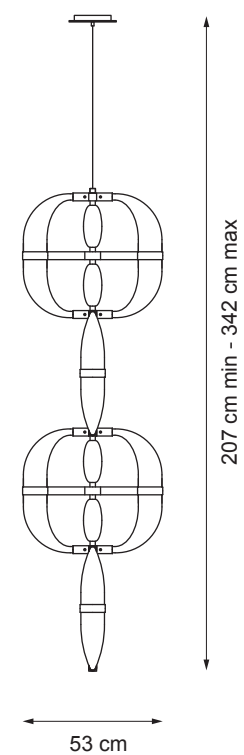
Item CDF02
Led lights chandelier (44W max)



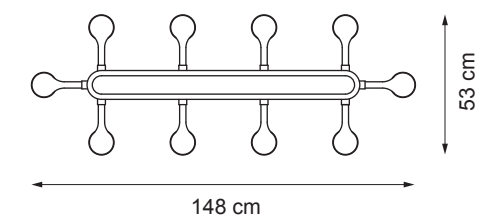
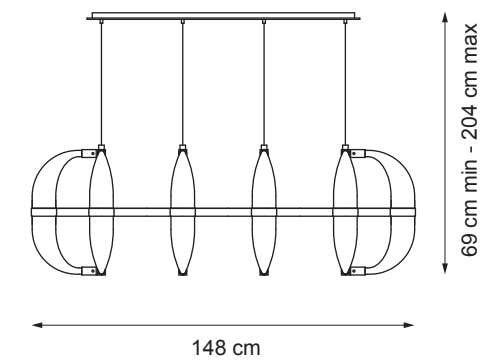
Item CDF03
Led lights chandelier (88W max)



Item CDF04
Led lights chandelier (176W max)



Item CDF05
Led lights chandelier (220W max)



PATRIZIAGARGANTI
Firenze

new collection 2017

C.D.F. - COUP DE Foudre

designer Roberto Lazzeroni

