

TERZANI
LA LUCE PENSATA

*me-
mory* '014

memory

Drawing from centuries of Italian craftsmanship, Terzani's Memory Project incorporates precious materials with cutting edge technology to create unique, luxurious pieces with roots in the noble craft traditions of wrought iron, wood, and scavo glass. In 1985, Sergio Terzani met Jean-Francois Crochet, an experienced Parisian designer. Together, they updated the craft culture, presenting it from a contemporary design angle. Jean François Crochet designed most of the lighting sculptures you will find here; no longer accessories or cold, technical supports, but dramatic, vibrant designs that build a unique bridge from the past to the present.

Index

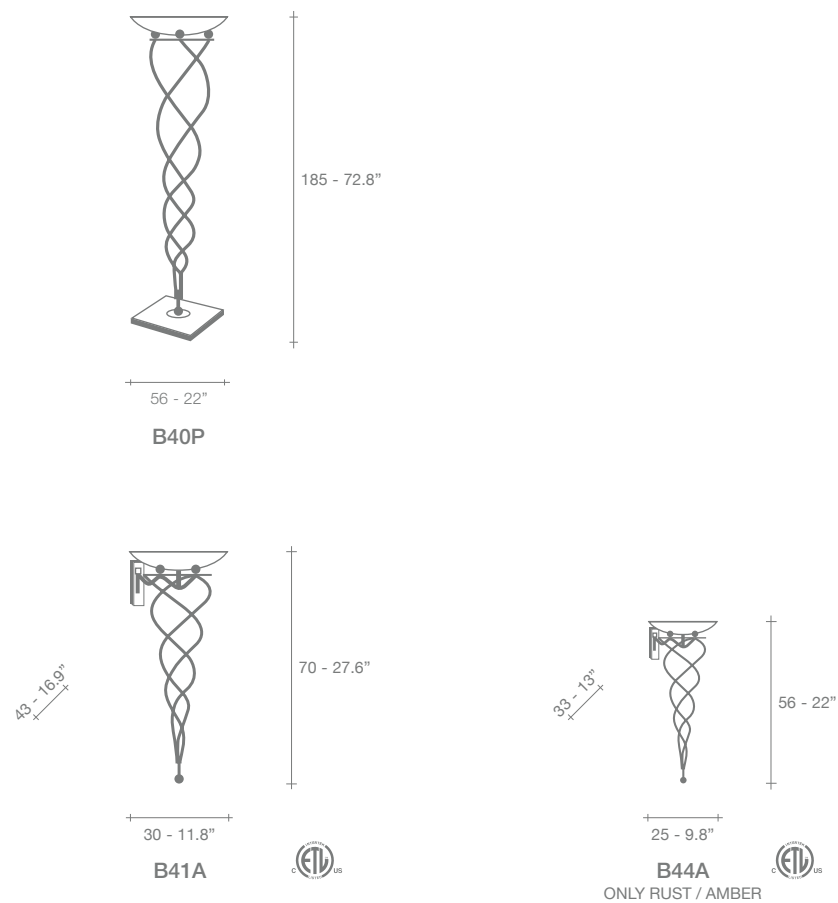
10	<i>Alaya</i>
04	<i>Antinea</i>
50	<i>Bara bara</i>
46	<i>Eclat de lune</i>
32	<i>Jeu theme</i>
36	<i>Liaisons appliquees</i>
26	<i>Lola darling</i>
48	<i>Mezza luna</i>
22	<i>Petit theatre</i>
14	<i>Phantom</i>
38	<i>Solune</i>
18	<i>Virgin</i>

Antinea, Light as *a Gale.*

Expanding currents of metal, finished with a waxed rust application, nest a hand-blown crescent of amber glass. The open helix of this classic design provides a sense of lightness and motion, despite its substantial construction. Design Jean-François Crochet.







SANDED
GREY
WHITE
ONLY B40P



RUST
AMBER

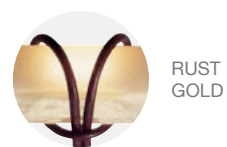
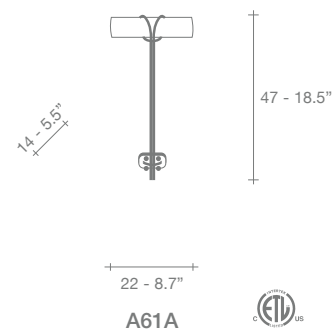
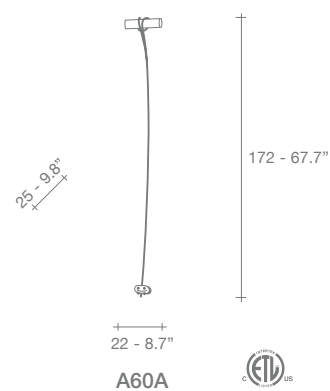
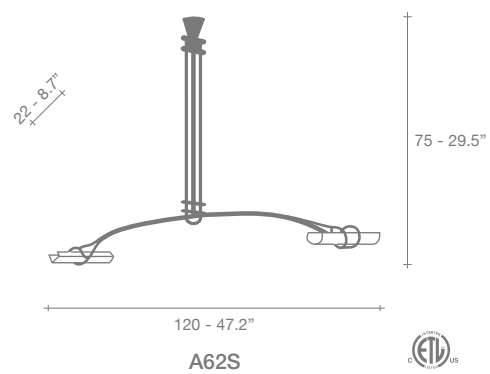
	B40P	B41A	B44A
230V	 HALOGEN ES 140W E27 (=200W)	 HALOGEN ES 80W R7S (=100W)	 HALOGEN ES 80W R7S (=100W)
120V	 CLEAR STANDARD A23 200W E26	 HALOGEN J-SHORT 100W R7S	 HALOGEN J-SHORT 100W R7S



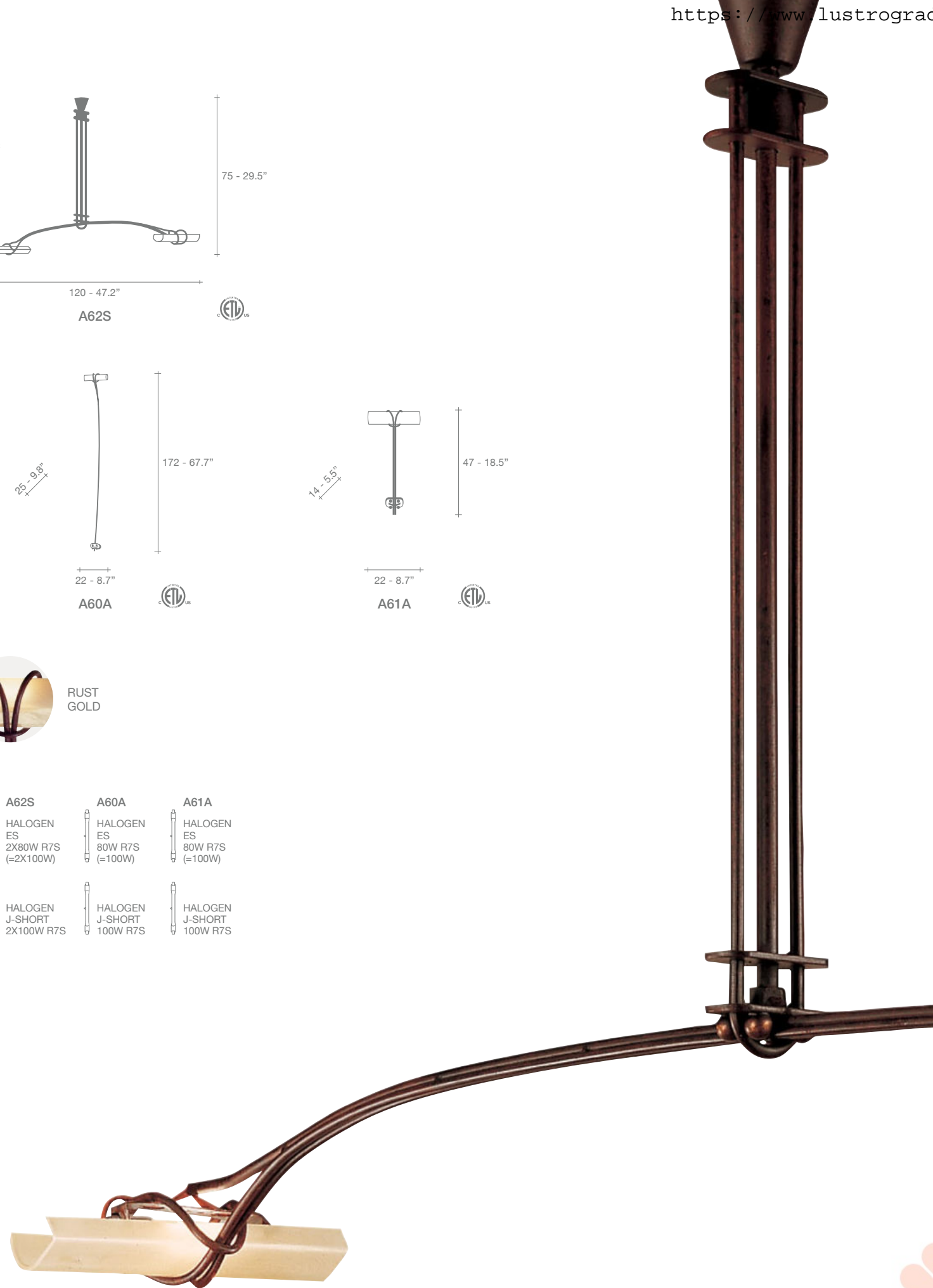
Alaya, Lightness *of being.*

A perpendicular band of gold leaf-flecked glass, entwined by a delicate "knot" finished in waxed rust, gives Alaya's a minimal, yet alluring shape that can feel at home in classic or contemporary settings. Available as a wall sconce, a standing light or a dual ceiling piece, the clean lines draw viewers' attention to the soft glow of Alaya's amber light. Design Jean-François Crochet.





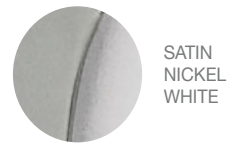
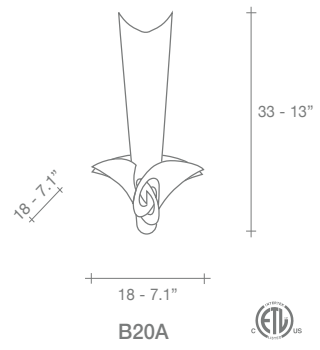
	A62S	A60A	A61A
230V	HALOGEN ES 2X80W R7S (=2X100W)	HALOGEN ES 80W R7S (=100W)	HALOGEN ES 80W R7S (=100W)
120V	HALOGEN J-SHORT 2X100W R7S	HALOGEN J-SHORT 100W R7S	HALOGEN J-SHORT 100W R7S



Phantom, an Elegant *Evening.*



Sometimes, we are rather theatrical. Perfect company for a formal affair, Phantom's masculine, waxed rust collar provides a handsome frame to the hand-blown glass diffuser, finished in gold leaf for an extra touch of luxury. Design Jean-François Crochet.



230V
B20A
HALOGEN
ES 42W E14
(=60W)

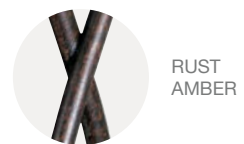
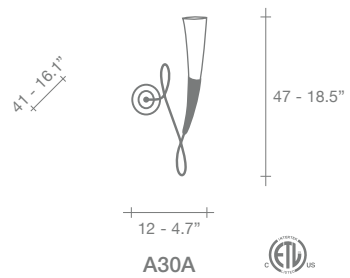
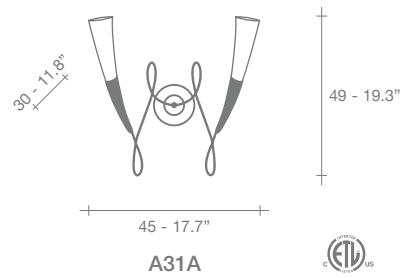
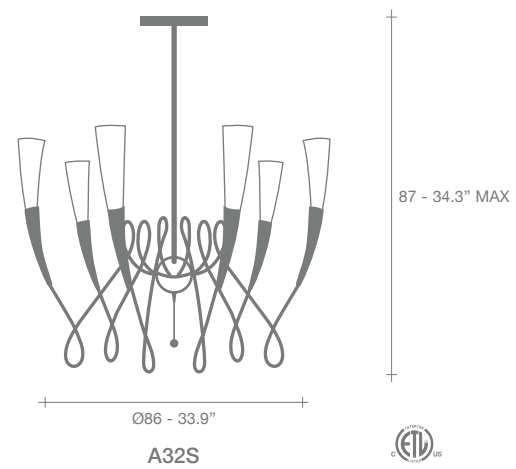
120V
KX-2000
T3
60W E12



Virgins, Delicate *Pure.*

The soft, pure light emitted by Virgins' delicate flutes of amethyst or amber scavo glass provides a modern update to the classic materials used. With a hand-forged metal body in hand-waxed rust finish or in precious silver leaf, this clean design seamlessly blends tradition with modern form. Design Jean-François Crochet.





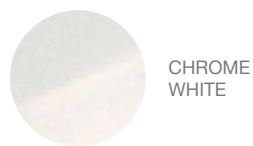
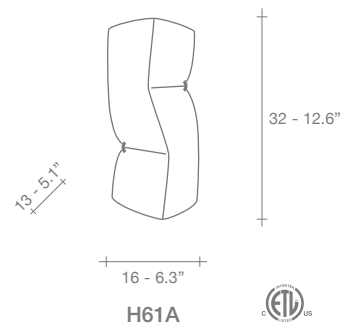
	A32S	A31A	A30A
230V	HALOGEN ES 6X33W G9 (=6X40W)	HALOGEN ES 2X33W G9 (=2X40W)	HALOGEN ES 33W G9 (=40W)
120V	HALOGEN JCD 6X35W G9	HALOGEN JCD 2X35W G9	HALOGEN JCD 35W G9



Petit Theatre, a Unique *Person.*



Showcasing the versatility of our glass craftsmen, Petit Theatre offers "right" facing sconces, recalling the masks of greek theatre. Finished with a subtle chrome structure, Petit Theatre is available with amber-gold leaf or white satin glass. Design Jean-François Crochet.



CHROME
WHITE



CHROME
AMBER
GOLD

230V
H61A
HALOGEN
ES
80W R7S
(=100W)

120V
HALOGEN
J-SHORT
100W R7S

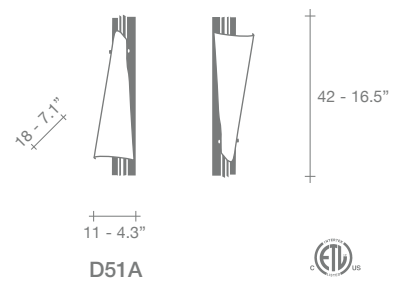
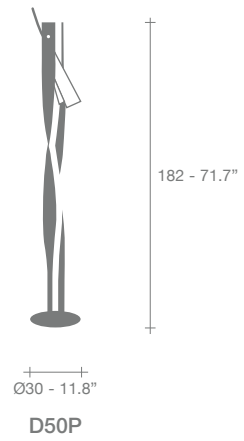


Lola-Darling, an Unabashedly *Feminine Form.*

Lola Darling's twisted "ribbons" of metal shape a distinctly voluptuous silhouette. Lola's white opal blown glass diffuser can be adjusted to expose more or less light, making this piece versatile as well as elegant. Available in a hand-waxed rust finish with sanded, blown, gold-leafed glass or satin nickel with white opal blown glass diffuser. Design Jean-François Crochet.



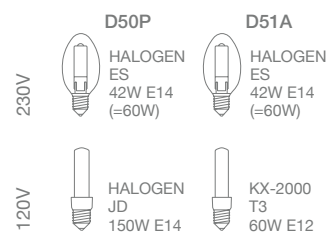




RUST/
GOLD



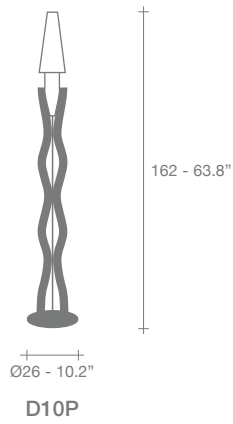
SATIN
NICKEL
WHITE



Jeu Thème, a Scepter of *Light.*

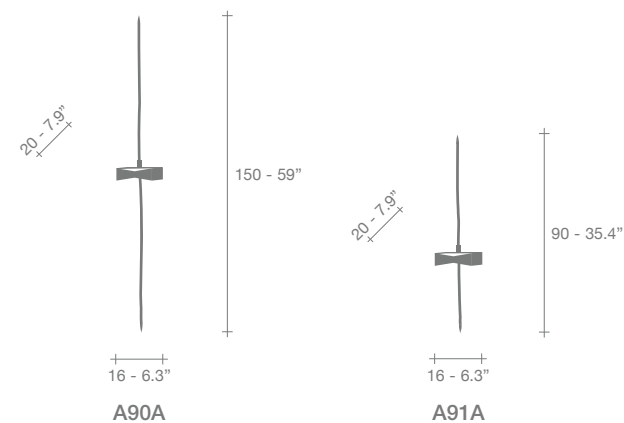
Two undulating pillars reveal a whimsical “secret” in Jeu Thème. Suspending the wood support for the glass diffuser, these two hand-forged metal pieces in gold leaf finish are inscribed with the phrases “I have a secret...”/“I love you”. Imbued with a unique personality, Jeu Thème is an excellent example of how Terzani craftsmen create pieces that have distinct personalities. Design Jean-François Crochet.



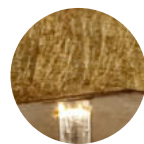


Liaisons Appliquees, Tendrils *of Light.*

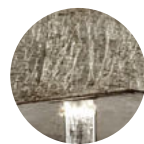
Another unique design from Terzani's master craftsmen, Liaisons Appliquées base is luxuriously finished by hand in gold or silver leaf. To complement the base, clear borosilicate glass pipes, illuminated by halogen bulbs, extend from the top and bottom, creating long, delicate tendrils of light, akin to rising smoke.
Design Jean-François Crochet.



	A90A	A91A
230V	HALOGEN ES 80W R7S (=100W)	HALOGEN ES 80W R7S (=100W)
120V	HALOGEN J-SHORT 100W R7S	HALOGEN J-SHORT 100W R7S



GOLD / CLEAR



SILVER / CLEAR



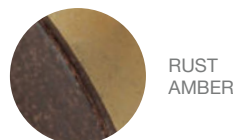
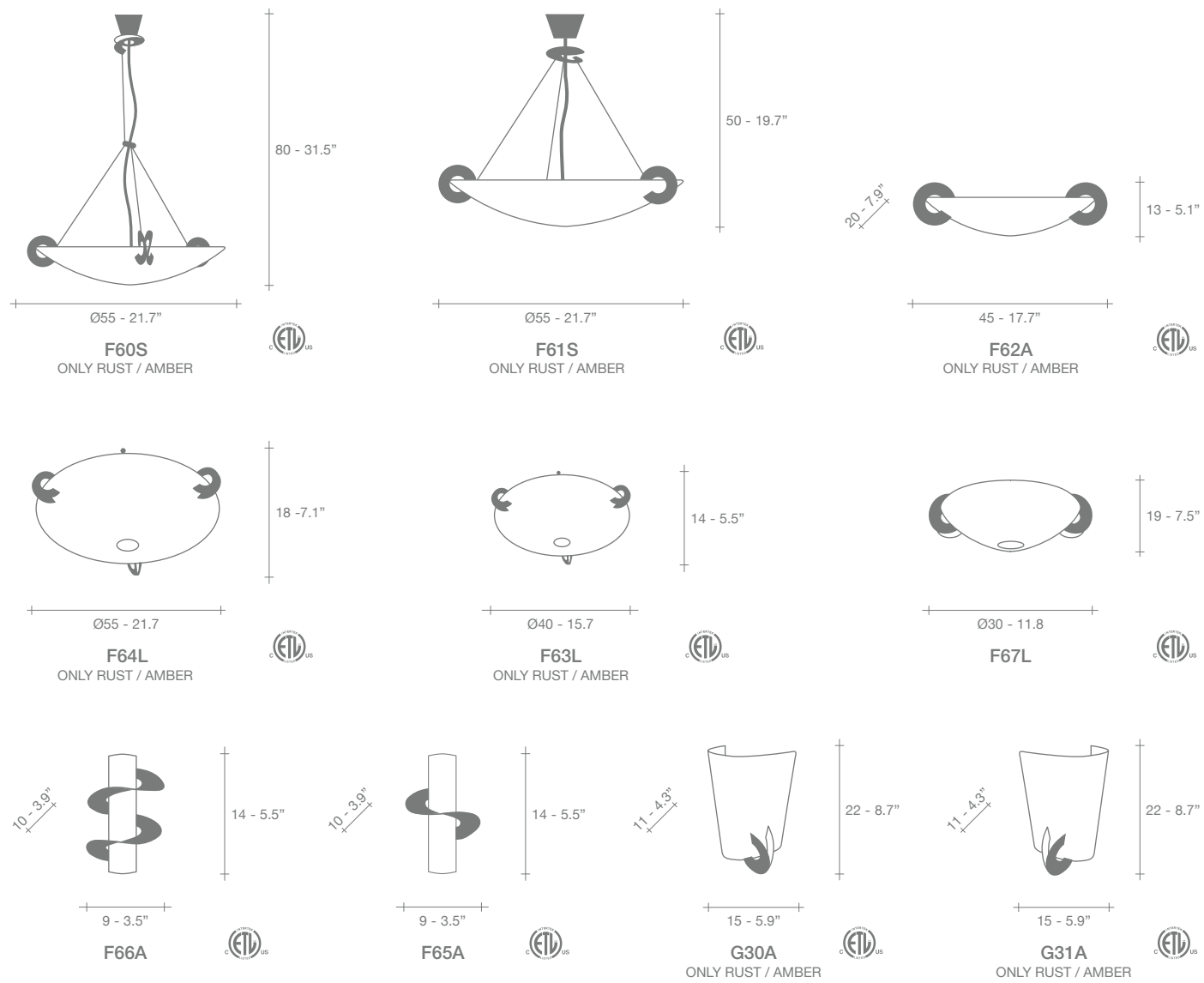
Solune, a Versatile *Luxury.*

One of the most diverse pieces in Terzani's collection, Solune's spiraled metal design has resonated with design aficionados around the world. We've translated this design into a range of pieces including wall sconces, pendants, ceiling lights, and table lamps. The metal structure available in hand-waxed rust finish, nickel and gold leaf finish, support a sanded white or amber scavo glass diffuser that emits a soft, white light. Design Jean-François Crochet.

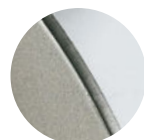








RUST AMBER



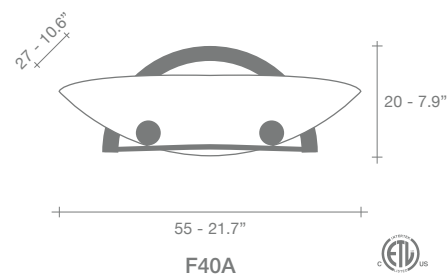
SATIN NICKEL WHITE

	F60S	F61S	F62A	F64L	F63L	F67L	F66A	F65A	G30A	G31A
230V	HALOGEN ES 3X42W E14 (=3x60W)	HALOGEN ES 3X42W E14 (=3x60W)	HALOGEN ES 120W R7S (=150W)	HALOGEN ES 120W R7S (=150W)	HALOGEN ES 120W R7S (=150W)	HALOGEN ES 80W R7S (=100W)	HALOGEN ES 48W R7S (=60W)	HALOGEN ES 48W R7S (=60W)	HALOGEN ES 42W E14 (=60W)	HALOGEN ES 42W E14 (=60W)
120V	KX-2000 T3 3X60W E12	KX-2000 T3 3X60W E12	HALOGEN J-SHORT 150W R7S	HALOGEN J-SHORT 150W R7S	HALOGEN J-SHORT 150W R7S	HALOGEN J-SHORT 100W R7S	HALOGEN J-SHORT 75W R7S	HALOGEN J-SHORT 75W R7S	TORPEDO 32 MM B10 60W E12	TORPEDO 32 MM B10 60W E12



Eclat De lune, a Moon *Rising.*

One of our two lunar designs, Eclat de Lune is inspired by the brilliant moonlight that illuminates the Italian nights. With a half crescent of amber scavo glass cradled in a hand-forged metal frame, this sconce illuminates its surrounding area with a clear light. Design Jean-François Crochet.



230V
F40A
HALOGEN
ES
120W R7S
(=150W)

120V
HALOGEN
J-SHORT
150W R7S

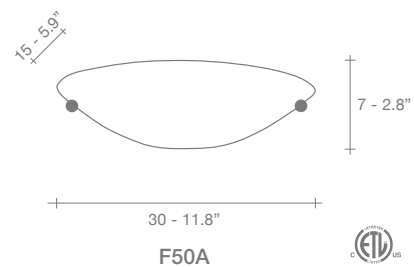


RUST / AMBER



Mezza Luna, a Soft *Crescent.*

Representing our other lunar design, Mezza Luna's glass provides ambient illumination for a subtle accent. Available in amber scavo glass with a wax rust metal sphere frame or white scavo glass with satin nickel, metal sphere accents. Design Jean-François Crochet.



230V HALOGEN ES 80W R7S (=100W)
120V HALOGEN J-SHORT 100W R7S



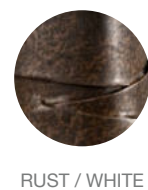
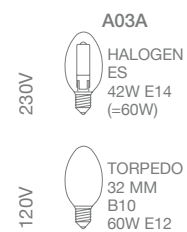
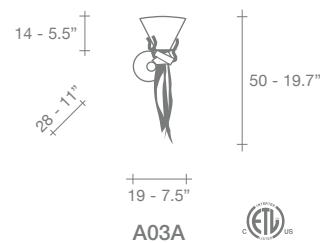
RUST / AMBER



SATIN NICKEL / WHITE

Bara Bara, Lighting the *Way.*

Bara Bara's animated design of crossing metal bands, in hand-waxed rust finish, recalls a light fabric, seemingly defying gravity to suspend hand-blown scavo glass shades. In addition to providing an organic, lively form, Bara Bara's design recalls the traditional form of torches and candelabras, providing a classic reference updated for the modern home. Available as a pendant, sconce or a floor light. Design Jean-François Crochet.





Art and *Crafts*

Terzani has a tradition deeply rooted in Italian craftsmanship. From shaping precious metals to painstakingly constructing every piece, our master craftsmen give attention to every design, resulting in unparalleled quality and a distinct aesthetic.

TERZANI
LA LUCE PENSATA

All products in Terzani collections are inspired by a return to noble artisan traditions. Every object is carefully created using craft techniques and for this reason certain details may vary from product to product. These variations are not imperfections but characteristic peculiarities of the production process. Terzani reserves the right to modify its products in order to improve its features. The reproduction on paper of products may result in a misrepresentation of some colors. Measurements are in cm and inches. Wattage and light bulbs are suggested. For updated technical data please refer to our current price list or our website. For updates on etl please visit our website or call our customer service. All products are certified. For etl listed products please refer to our technical specs. etl certification may be available on request when not listed.

Terzani srl

Via Castelpulci Int.9 - 50018
Scandicci (Firenze) Italy
T +39 055 722021
F +39 055 7311161
N.Verde 800-018575
terzani@terzani.com

Terzani Usa, Inc.

11470 Interchange
Circle North
Miramar, FL 33025
T 954-438 7779
F 954-438 7566
Toll free 1 (866) 380-5412
terzaniusa@terzani.com

Creative direction Terzani
Photos Leonardo Beglieri
Art direction Camilla Cordella
Artwork Terzani
Digital imaging Art And Pixel
Eu (Italy) 2014

terzani.com

© terzani 2014



TERZANI
LA LUCE PENSATA

[terzani.com](https://www.terzani.com)

LUSTROGRAD
ОПТОВЫЕ ПРОДАЖИ СВЕТИЛЬНИКОВ